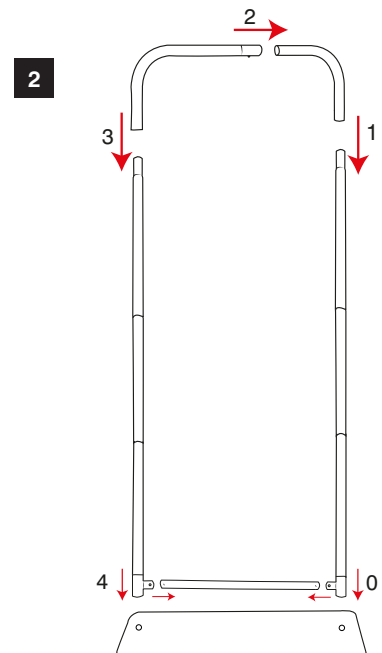
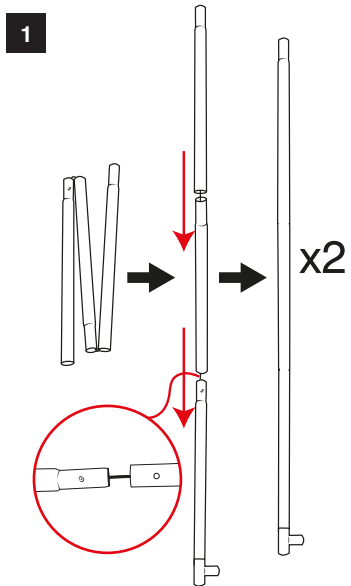
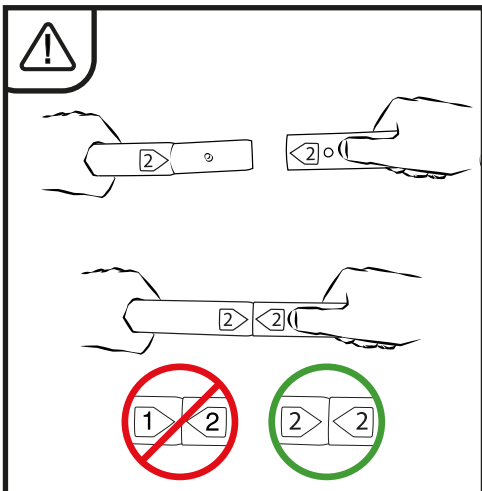
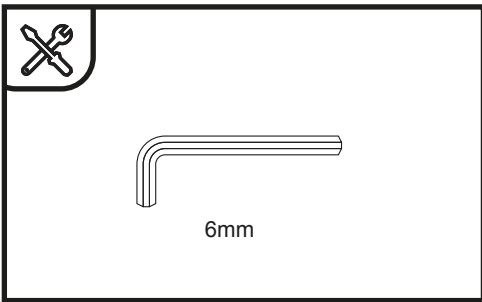
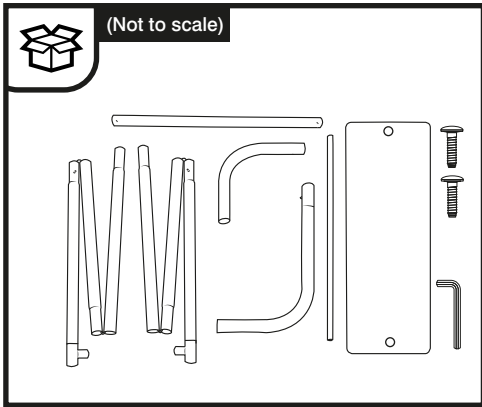
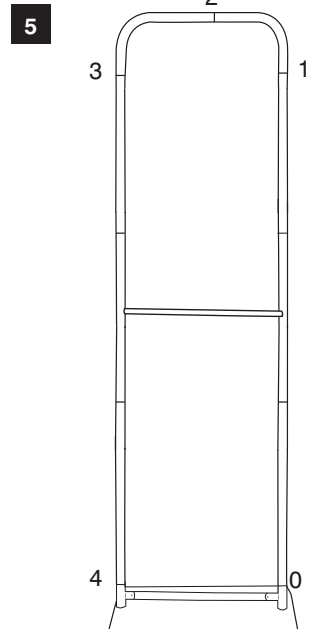
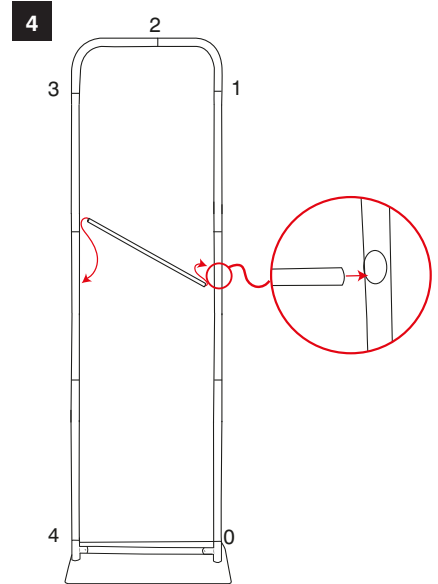
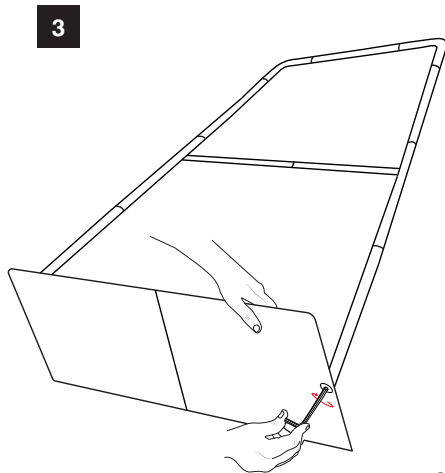


# Backwall Formulate Monolith 600mm

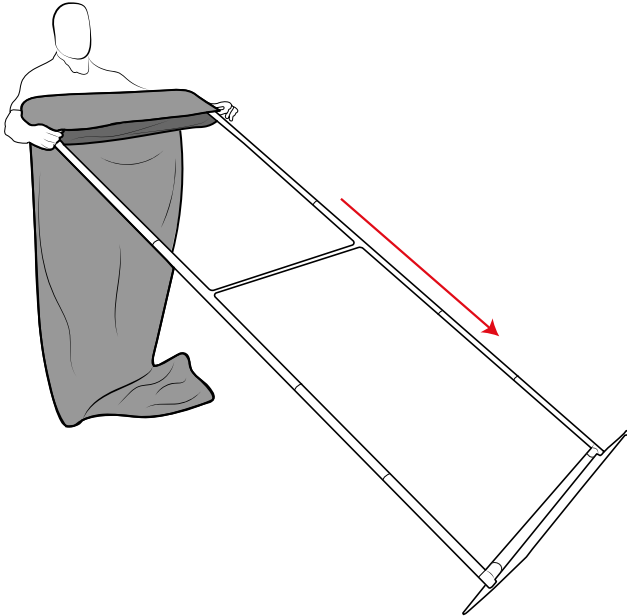


**NOTE: FOR ZIPPED VERSION REFER TO STEP 6B - THEN CONTINUE TO ATTACH BASE AS PER STEPS 4 & 5**



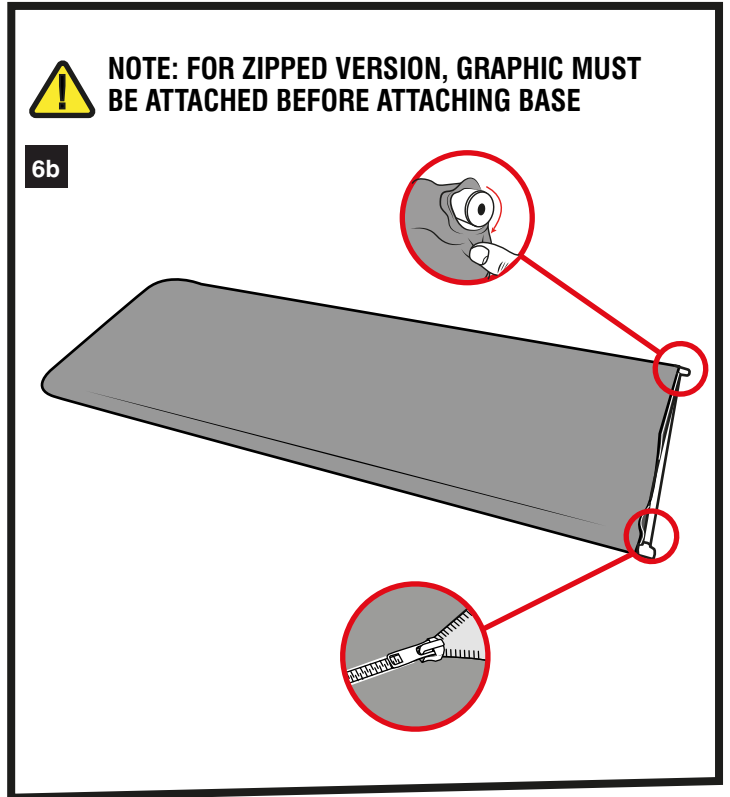


6a

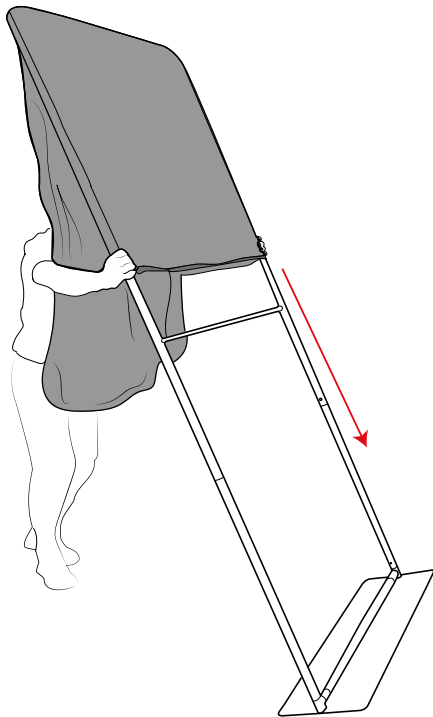


**NOTE: FOR ZIPPED VERSION, GRAPHIC MUST BE ATTACHED BEFORE ATTACHING BASE**

6b



7



8

